

A

B

C

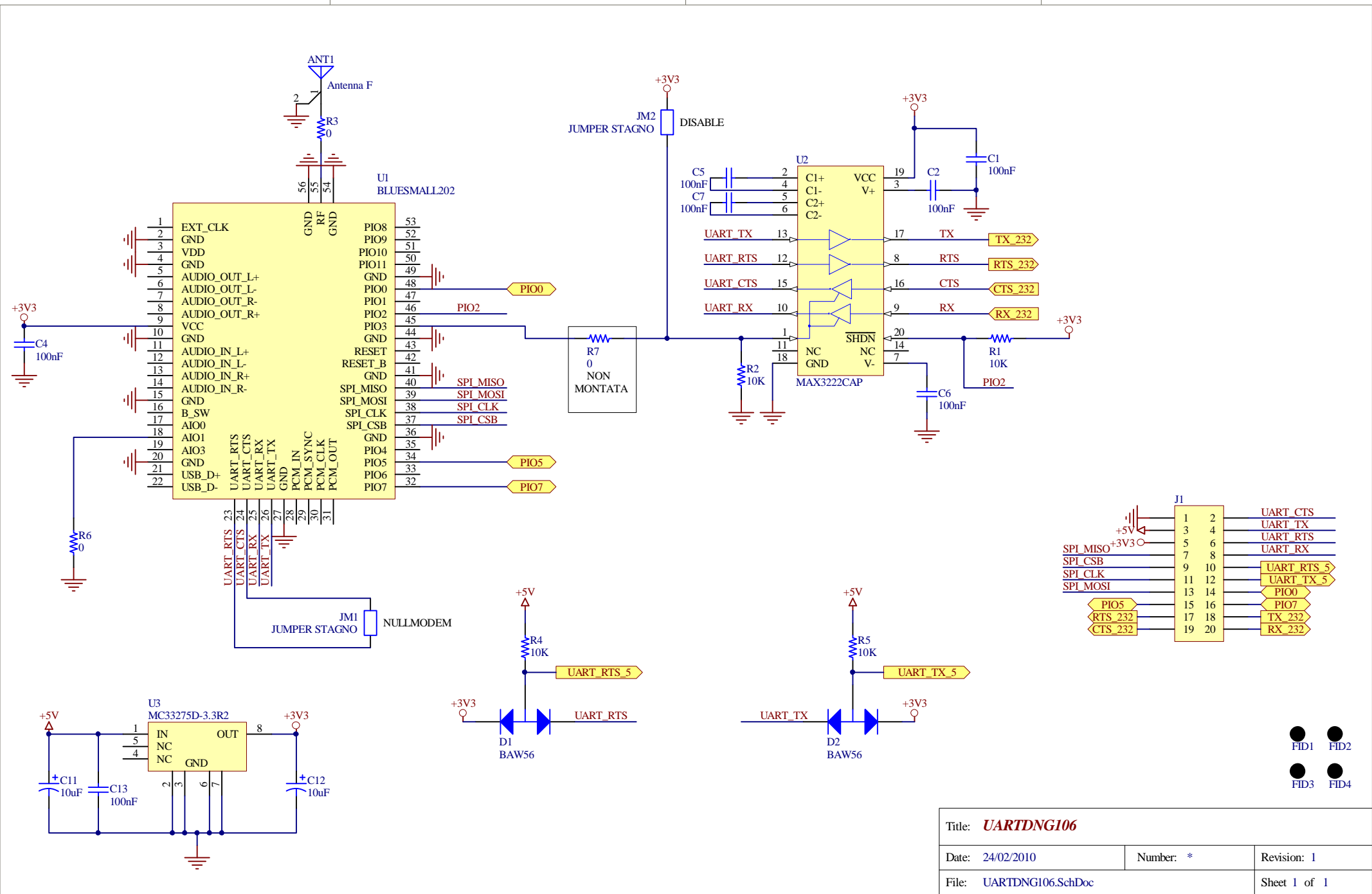
D

1

2

3

4

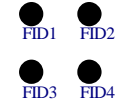


A

B

C

D



Title: <b>UARTDNG106</b>		
Date: 24/02/2010	Number: *	Revision: 1
File: UARTDNG106.SchDoc		Sheet 1 of 1