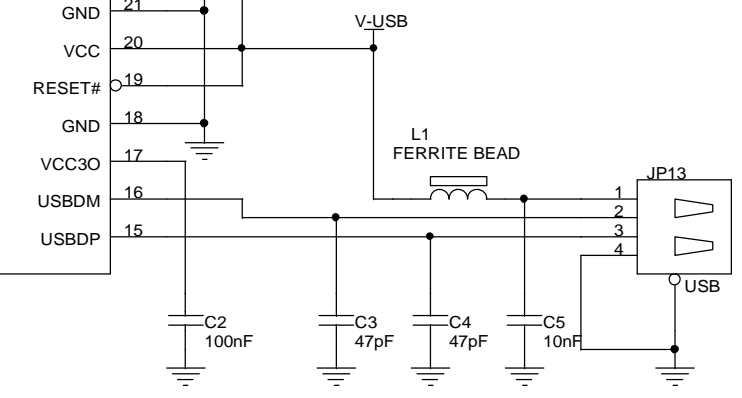


CONN FLEX 26

I2C_CLK	1	2	D5_IN
I2C_DATA	3	4	D1/PWM1
D1_IN	5	6	D2/PWM2
D2_IN	7	8	SPI_CLK
D3_IN	9	10	SPI_IN
D4_IN	11	12	SPI_OUT
URX	13	14	SPI_CS
UTX	15	16	VCC
D3/PWM3	17	18	PGC/A4_IN
D4_OUT	19	20	PGD/A3_IN
D5_OUT	21	22	3V3
A1_IN	23	24	RESET
A2_IN	25	26	



Title		
DEVBOARD PICUS		
Size	Document Number	Rev
A4	PROGETTI/DEV-PICUS	0
Date:	Thursday, April 29, 2010	Sheet 1 of 1